



DATASHEET

PG703

ProtoConvert introduces the computer designed PG703 Gateway, which provides high-performance networking in robust, compact, and cost-effective IIoT solutions. The PG703 enables OEMs to compete in a broader market by meeting specifications for BMS connectivity. It provides instant multi-protocol deployment of field protocols, enabling new or legacy devices to easily interface with other protocols. The PG703 comes with 1000 read and write points.

PG703 gateway can seamlessly connect one or many OEM devices into BMS networks including like BACnet IP, BACnet MSTP, Modbus TCP/IP, Modbus RTU, SNMP, MQTT, JSON, OPC DA, Minerva, OPC UA, FTP Client, SQL, Agilent, Hochiki EN, Email, SMS, Telnet, Veeder root, Hochiki MC and many more. It is a Bi-directional Converter that can be configured as a client and/or a Server on either protocol interface.

Key Features

- AM335x Processor
- 512MB RAM
- 4G/LTE modem onboard. LTE category 4 module optimized for broadband IoT applications.
- Multiple interfaces
- Multi-Protocol Translation
- Supports up to 5000 read and write points.
- Robust design
- DIN rail enclosure with optional wall mount bracket



IND: +91-95102-38954/ AUS: +61-424-706-701

sales@protoconvert.com

www.protoconvert.com

www.protoconvert.com.au

GSTN: 24AGWPV2400P1ZR

ABN: 36516184264





Applications

- Control and automation systems
- Home automation
- Building management systems
- Process control
- Industrial automation
- Machine control
- Industrial control networks Monitoring

Technical Specifications

Processor:

SOC: AM335x

RAM: 512MB

Physical Interfaces

Ethernet: 10/100 MBps

Serial: 1 x RS485, 1 x RS232

Baud: 9600, 19200, 34800, 57600, 76800

1 x CAN

1 x PCie (4G Modem)

Power Rates:

Supply Voltage: 12 to 24 VDC

Supply Current: 0.5A

Environmental

Operating Temperature: 0 °C ~ 50 °C

Operating Relative Humidity: 5 ~ 95%, non-condensing

Storage Temperature: -25 °C ~ 80 °C

IND: +91-95102-38954/ AUS: +61-424-706-701

sales@protoconvert.com

www.protoconvert.com

www.protoconvert.com.au

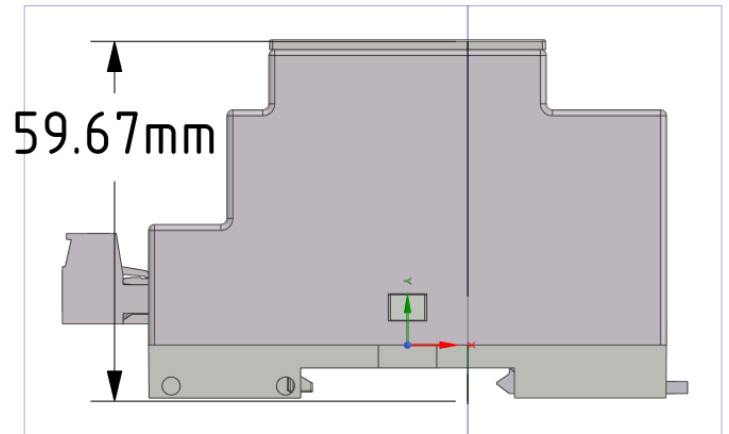
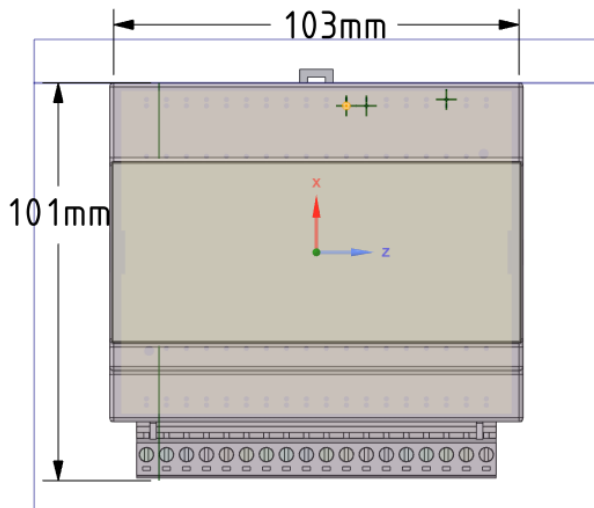
GSTN: 24AGWPV2400P1ZR

ABN: 36516184264





Dimensions



IND: +91-95102-38954/ AUS: +61-424-706-701

sales@protoconvert.com

www.protoconvert.com

www.protoconvert.com.au

GSTN: 24AGWPV2400P1ZR

ABN: 36516184264

