



## DATASHEET

# PG702

ProtoConvert introduces the computer designed **PG702** Gateway, which provides high-performance networking in robust, compact, and cost-effective IIoT solutions. We also offer a Real-Time Clock.

The device has four ports RS485, which enable it to connect up to four Modbus RTU trunks. A 4-port Modbus gateway is a device that facilitates communication between different Modbus networks. PG702 Gateway supports BACnet IP, BACnet MS/TP, Modbus RTU, Modbus TCP, and SNMP protocols and many more. It is a Bi-directional Converter that can be configured as a Client and/or a Server on either protocol interface.

### Key Features

- AM335x Processor
- 512MB RAM
- Multiple interfaces: 1xRS-232, 4xRS-485, 1xEthernet, 1xCAN
- **Real Time Clock** with battery backup
- Robust design
- DIN rail enclosure with optional wall mount



Bracket.

- the 4-port Modbus gateway is a versatile and reliable solution for integrating Modbus RTU/ASCII devices into modern industrial networks.
- The device can be used to connect various Modbus devices, including PLCs, HMIs, and other industrial control equipment.
- Supports up to 5000 read and write points.

IND: +91-95102-38954/ AUS: +61-424-706-701

[sales@protoconvert.com](mailto:sales@protoconvert.com)

[www.protoconvert.com](http://www.protoconvert.com)

[www.protoconvert.com.au](http://www.protoconvert.com.au)

GSTN: 24AGWPV2400P1ZR

ABN: 36516184264





## Applications

- Control and automation systems
- Home automation
- Building management systems
- Process control
- Industrial automation
- Machine control
- Industrial control networks  
Monitoring

## Technical Specifications

### Processor:

**SOC:** AM335x

**RAM:** 512MB

### Physical Interfaces

**Ethernet:** 10/100 MBps

**Serial:** 4 x RS485, 1 x RS232

- **Baud:** 9600, 19200, 34800, 57600, 76800
- 1 x CAN

### Power Rates:

**Supply Voltage:** 12 to 24 VDC

**Supply Current:** 0.5A

### Environmental

**Operating Temperature:** 0 °C ~ 50 °C

**Operating Relative Humidity:** 5 ~ 95%, non-condensing

**Storage Temperature:** -25 °C ~ 80 °C

### Model Number:

- **PG7022** :- 2xRS485, 1xRS232 and 1xEthernet
- **PG7023** :- 3xRS485, 1xRS232 and 1xEthernet
- **PG7024** :- 4xRS485, 1xRS232 and 1xEthernet

IND: +91-95102-38954/ AUS: +61-424-706-701

sales@protoconvert.com

[www.protoconvert.com](http://www.protoconvert.com)

[www.protoconvert.com.au](http://www.protoconvert.com.au)

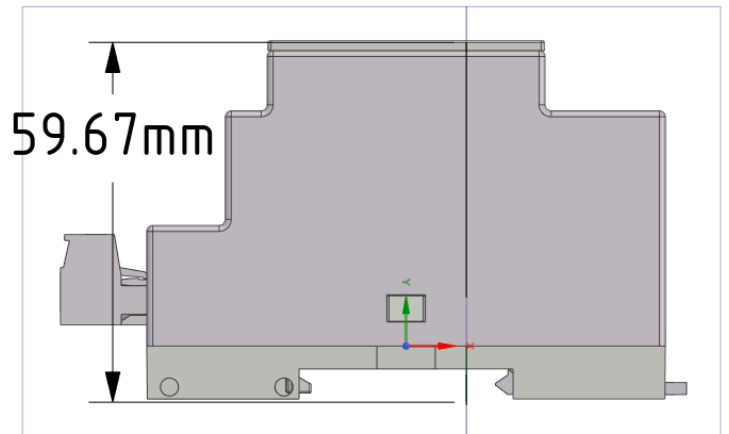
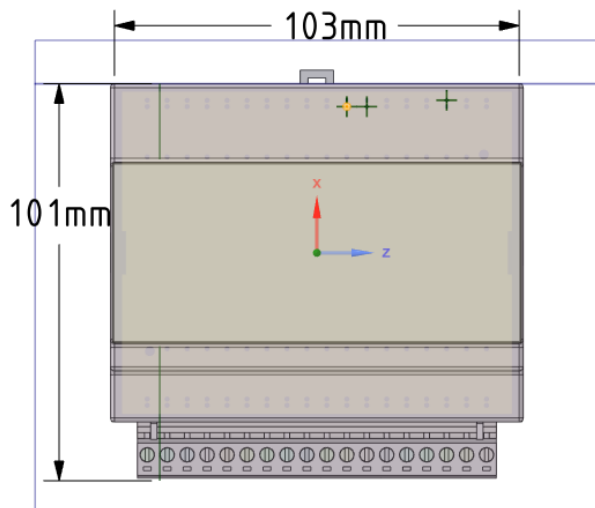
GSTN: 24AGWPV2400P1ZR

ABN: 36516184264





## Dimensions



IND: +91-95102-38954/ AUS: +61-424-706-701

[sales@protoconvert.com](mailto:sales@protoconvert.com)

[www.protoconvert.com](http://www.protoconvert.com)

[www.protoconvert.com.au](http://www.protoconvert.com.au)



GSTN: 24AGWPV2400P1ZR

ABN: 36516184264

