



DATASHEET

PG500

ProtoConvert introduces the computer designed **PG500** Gateway, which provides high-performance networking in robust, compact, and cost-effective IIoT solutions. Additionally, it has IIoT remote monitoring capabilities for all devices in the field at no extra cost. We also offer a Real-Time Clock with a battery backup feature.

PG500 Gateway supports BACnet IP, BACnet MS/TP, Modbus RTU, Modbus TCP, and SNMP protocols. It is a Bi-directional Converter that can be configured as a client and/or a Server on either protocol interface. The PG500 comes with 1000 read and write points.

Key Features

- BCM2837 Processor
- 1GByte RAM
- 4Gbyte EMMC Flash
- Multiple interfaces
- **Real Time Clock** with battery backup
- Robust design
- DIN rail enclosure with optional wall mount bracket
- Supports up to 5000 read and write points.



Applications

- Control and automation systems
- Home automation
- Building management systems
- Process control
- Industrial automation
- Machine control
- Industrial control networks Monitoring

IND: +91-95102-38954/ AUS: +61-424-706-701

sales@protoconvert.com

www.protoconvert.com

www.protoconvert.com.au

GSTN: 24AGWPV2400P1ZR

ABN: 36516184264





Technical Specifications

Processor:

SOC: BCM2836x

RAM: 1GB

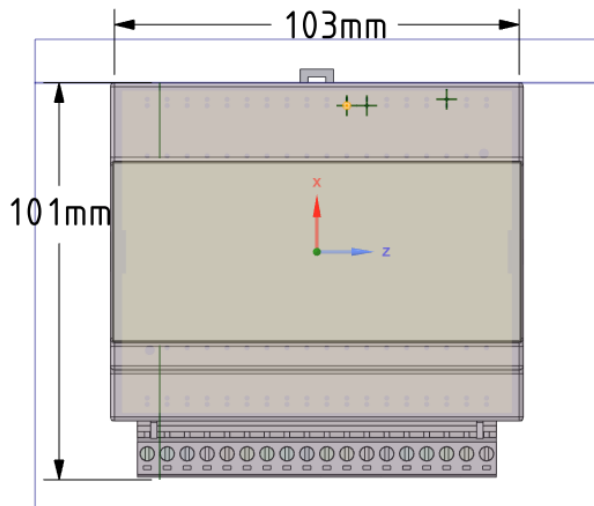
EMMC Flash: 4GB

Power Rates:

Supply Voltage: 12 to 24 VDC

Supply Current: 0.5A

Dimensions



Physical Interfaces

Ethernet: 10/100 MBps

Serial: 1 x RS485

1 x RS232

- **Baud:** 9600, 19200, 34800, 57600, 76800

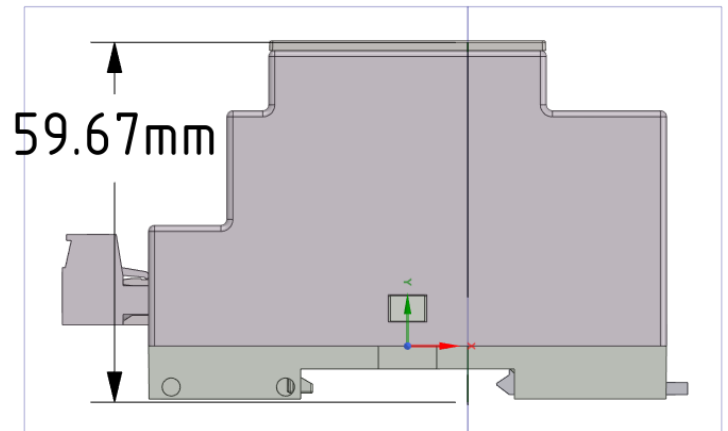
Environmental

Operating Temperature: 0 °C ~ 50 °C

Operating Relative

Humidity: 5 ~ 95%, non-condensing

Storage Temperature: -25 °C ~ 80 °C



IND: +91-95102-38954/ AUS: +61-424-706-701

sales@protoconvert.com

www.protoconvert.com

www.protoconvert.com.au

GSTN: 24AGWPV2400P1ZR

ABN: 36516184264

