

Driver Manual

FS-8704-25 Schneider Electric Cassia

APPLICABILITY & EFFECTIVITY

Effective for all systems manufactured after April 2021.



Driver Revision: 1.00
Document Revision: 4.A



fieldserver

MSA Safety
1000 Cranberry Woods Drive
Cranberry Township, PA 16066 USA
Website: www.MSAsafety.com

U.S. Support Information:
+1 408 964-4443
+1 800 727-4377
Email: smc-support@msasafety.com

EMEA Support Information:
+31 33 808 0590
Email: smc-support.emea@msasafety.com

Contents

1	Description	4
2	Driver Scope of Supply	4
	2.1 Supplied by MSA Safety.....	4
	2.2 Provided by the Supplier of 3 rd Party Equipment	4
	2.2.1 Required 3 rd Party Hardware	4
3	Hardware Connections	5
4	Data Array Parameters	6
5	Client Side Configuration	7
	5.1 Client Side Connection Parameters	7
	5.2 Client Side Node Descriptors	8
	5.3 Client Side Map Descriptor Parameters	8
	5.3.1 FieldServer Specific Map Descriptor Parameters	8
	5.3.2 Driver Related Map Descriptor Parameters	9
	5.3.3 Timing Parameters	9
	5.4 Map Descriptor Examples	10
	5.4.1 Read and Write the Cassia Server Configuration Bits	10
	5.4.2 Setup Room Devices and Passively Monitor for Data Changes.....	11
	5.4.3 Actively Monitor Room Devices for Data Changes and Passive Monitoring	12
	5.4.4 Dump the Cassia Server’s Hierarchical Configuration to a File for Configuration	12
6	Useful Features	14
7	Troubleshooting	15
	7.1 Driver Messages.....	15
8	Vendor Information	18
9	Reference	19
	9.1 The Configuration Status Bits.....	19
	9.2 List of Device Passive Map Descriptor Types	20
	9.3 Data Array Storage for Room_Status.....	21

1 Description

The Schneider Electric Cassia driver allows the FieldServer to transfer data to and from a Cassia Building Management System Server over Ethernet using the Schneider Electric Cassia 3rd party socket interface protocol. The FieldServer can emulate only a Client.

Max Nodes Supported

FieldServer Mode	Nodes	Comments
Client	1	Connection to only 1 Cassia Server supported

2 Driver Scope of Supply

2.1 Supplied by MSA Safety

Part #	Description
FS-8915-10	UTP cable (7 foot) for Ethernet connection

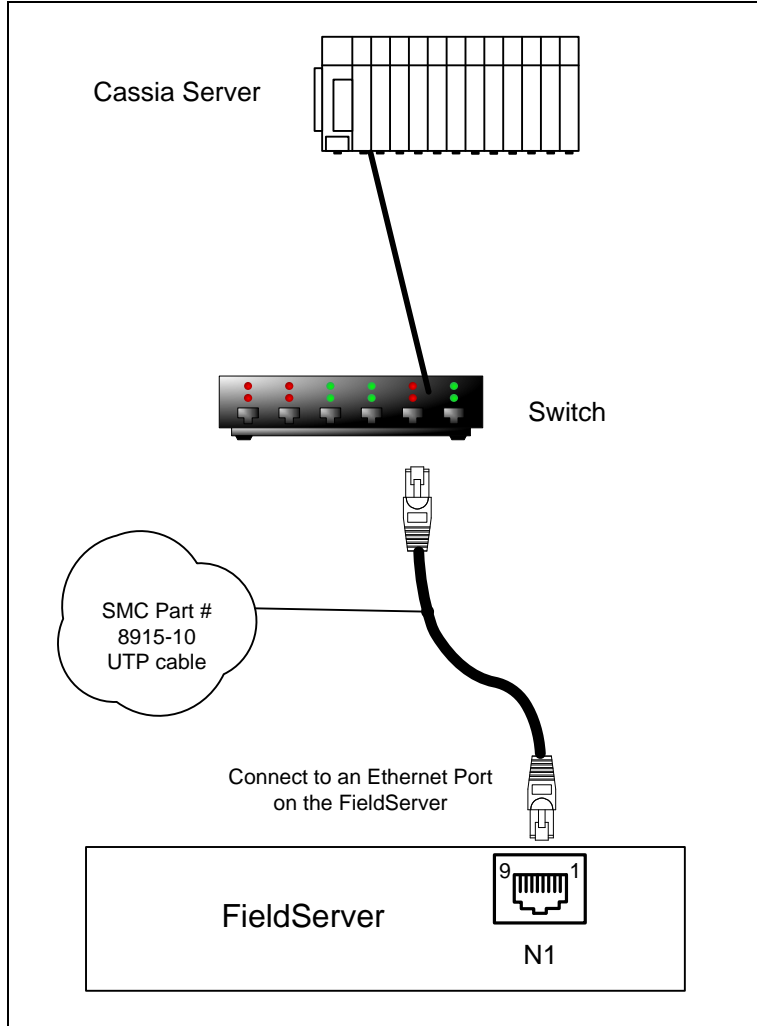
2.2 Provided by the Supplier of 3rd Party Equipment

2.2.1 Required 3rd Party Hardware

Part #	Description
	Cassia Server

3 Hardware Connections

The FieldServer is connected to the remote Cassia Server as shown in the connection drawing. Configure the Cassia Server according to manufacturer's instructions.



4 Data Array Parameters

Data Arrays are “protocol neutral” data buffers for storage of data to be passed between protocols. It is necessary to declare the data format of each of the Data Arrays to facilitate correct storage of the relevant data.

Section Title		
Data_Arrays		
Column Title	Function	Legal Values
Data_Array_Name	Provide name for Data Array.	Up to 15 alphanumeric characters
Data_Array_Format	Provide data format. Each Data Array can only take on one format.	Float, Bit, Byte, Uint16, Uint32, Sint16, Sint32
Data_Array_Length	Number of Data Objects. Must be larger than the data storage area required by the Map Descriptors for the data being placed in this array.	1-10000

Example

```
// Data Arrays
Data_Arrays
Data_Array_Name , Data_Array_Format , Data_Array_Length
Config          , Bit                , 34
R1_States      , Uint16               , 2
```

5 Client Side Configuration

For detailed information on FieldServer configuration, refer to the FieldServer Configuration Manual. The information that follows describes how to expand upon the factory defaults provided in the configuration files included with the FieldServer (see “.csv” sample files provided with the FieldServer).

This section documents and describes the parameters necessary for configuring the FieldServer to communicate with a Cassia Server.

The configuration file tells the FieldServer about its interfaces, and the routing of data required. In order to enable the FieldServer for Schneider Electric Cassia communications, the driver independent FieldServer buffers need to be declared in the “Data Arrays” section, the destination device addresses need to be declared in the “Client Side Nodes” section, and the data required from the servers needs to be mapped in the “Client Side Map Descriptors” section. Details on how to do this can be found below.

NOTE: In the tables below, * indicates an optional parameter, with the bold legal value as default.

5.1 Client Side Connection Parameters

Section Title		
Connections		
Column Title	Function	Legal Values
Adapter	Specify which Ethernet port on the FieldServer to use.	N1, N2, WLAN ¹
Protocol	Specify protocol used.	Schneider Cassia, Schneider Electric Cassia EMS
EMS_Login_Enabled	Specify whether to login to the remote Cassia Server (not supported at this time).	Yes, No
EMS_Server_IP_Address	The remote IP address of the Cassia Server.	Class A, B, C IP address (e.g. 10.0.0.1)

Example

```
// Client Side Connections
Connections
Adapter      , Protocol      , EMS_Login_Enabled  , EMS_Server_IP_Address
N1           , Schneider Cassia    , No                 , 10.0.0.1
```

¹ Not all ports shown are necessarily supported by the hardware. Consult the appropriate Instruction manual for details of the ports available on specific hardware.

5.2 Client Side Node Descriptors

Section Title		
Nodes		
Column Title	Function	Legal Values
Node_Name	Provide name for node.	Up to 32 alphanumeric characters
Node_ID	Cassia Server Config Node or Room ID for each room to be monitored on the remote Cassia Server.	0 (for Config Node) 1-65534 (Room ID)
Protocol	Specify Protocol used.	Schneider Cassia, Schneider Electric Cassia EMS
Adapter	Specify the Ethernet Adapter of the defined connection.	N1, N2, WLAN ²

Example

```
// Client Side Nodes
Nodes
Node_Name , Node_ID , Protocol , Adapter
Config , 0 , Schneider Cassia , N1
Room1 , 1 , Schneider Cassia , N1
Room7 , 7 , Schneider Cassia , N1
```

5.3 Client Side Map Descriptor Parameters

5.3.1 FieldServer Specific Map Descriptor Parameters

Column Title	Function	Legal Values
Map_Descriptor_Name	Name of this Map Descriptor.	Up to 32 alphanumeric characters
Data_Array_Name	Name of Data Array where data is to be stored in the FieldServer.	One of the Data Array names from "Data Array" section above
Data_Array_Offset	Starting location in Data Array.	0 to maximum specified in "Data Array" section above
Function	Function of Client Map Descriptor.	RDB, RDBC, Passive depending on map descriptor application (see map descriptor examples)
Block_Type	Sets the write-through data-type on the Configuration Bits map descriptor.	Flag (1-bit), Register (16-bits)

² Not all ports shown are necessarily supported by the hardware. Consult the appropriate Instruction manual for details of the ports available on specific hardware.

5.3.2 Driver Related Map Descriptor Parameters

Column Title	Function	Legal Values
Node_Name	Name of Node to fetch data from.	One of the node names specified in "Client Node Descriptor" above
Cent_Type	Specifies the type of message this map descriptor will send to or capture from the Cassia Server. Maximum length values are bracketed.	(Normal Use): Config (34-bit, 3-word) Room_Devices (1) Room_Status (2) Coordinator (3) Room_Coordinator (1) Thermostat (22) Door (3) Sliding_Door (3) Motion_Detector (3) Dimmer_Load (4) 1Button_Relay (4) 3Button_Relay (4) (Configuration Dump): Location_Dump (1) Floor_Dump (1) Room_Dump (1) Device_Dump (1)
Cent_Location_ID	Location Identifier.	1-65534
Cent_Floor_ID	Floor Identifier (only used for Cassia Server configuration dump).	1-65534
Cent_Room_ID	Room Identified (only used for Cassia Server configuration dump).	1-65534
Length	Length of Map Descriptor which indicates the number of data elements to be stored.	Greater than or equal to 1; refer to the maximum length values indicated in brackets in the Cent_Type legal values column

5.3.3 Timing Parameters

Column Title	Function	Legal Values
Scan_Interval	Rate at which data is read from the Cassia Server.	≥0.001s

5.4 Map Descriptor Examples

5.4.1 Read and Write the Cassia Server Configuration Bits

For bit data array use:

Map_Descriptors									
Map_Descriptor_Name	Data_Array_Name	Data_Array_Offset	Node_Name	Function	Cent_Type	Block_Type	Scan_Interval	Length	
MD_Config	DA_Config_Bit	0	Config	RDBC	Config	Flag	10s	34	

Example comments:

- Data_Array_Name – Config bit state values will be stored in this data array.
- Data_Array_Offset – Config bit state values will be stored in the data array at this offset.
- Node_Name – The Config Node with Node Id of zero is specified here since this map descriptor does not function on a room level, but at a server configuration level.
- Function – Read Continuous specified here to update the config state bit values ever scan interval.
- Block_Type – Specifies the data type of cache blocks that will be created for doing writes. Flag will create single config bit cache blocks, and Register will create 16-bit config word cache block messages.
- Scan_Interval – Specifies the number of config bit state values to be stored, starting from the first bit.

For word data array use:

Map_Descriptors									
Map_Descriptor_Name	Data_Array_Name	Data_Array_Offset	Node_Name	Function	Cent_Type	Block_Type	Scan_Interval	Length	
MD_Config	DA_Config_Uint16	0	Config	RDBC	Config	Register	10s	3	

To change configuration bits on the Cassia Server, simply change the corresponding bit value or the complete word values in the data array defined for this map descriptor and a temporary write map descriptor called a cache block will be created by the driver to do the write to the remote Cassia Server. See **Section 9.1** for the configuration status bits table.

5.4.2 Setup Room Devices and Passively Monitor for Data Changes

Device Ids of remote devices configured in the Cassia Server are unique values that have to be retrieved and assigned by the SCHNEIDER ELECTRIC CASSIA driver to predefined device map descriptors.

For each room to be monitored, there has to be Room_Devices map descriptor defined with a RDB function so it only reads the room's configured device Ids once and then assign them to predefined Passive map descriptors of the device types reported by the Cassia Server. Here is an example of a Room_Devices Map descriptor to retrieve the Device Ids for room 7. Note that a node with Node ID equal to 7 for Room7 had to be defined beforehand under the Nodes section.

Map_Descriptors							
Map_Descriptor_Name	Data_Array_Name	Data_Array_Offset	Node_Name	Function	Cent_Type	Length	
MD_Room_7	R7_Device_IDs	0	Room7	RDB	Room_Devices	1	

Example comments:

- Data_Array_Name – The Device IDs of all the devices configured in Room 7 will be stored in this data array.
- Function – The only function allowed here is RDB since the retrieval of Device Ids are only done once at startup.
- Length – The length of 1 does not affect the number of Device Ids stored. The map descriptor will store as many as the data array length allows and print a warning message if it ran out of space, so make sure the data array on this map descriptor is long enough for the expected number of devices in the room.

The second step is to add Passive function map descriptors for each device that will be reported by the Cassia Server. See the section called Useful Features in this manual on how to obtain a dump of the devices configured in a room from the Cassia Server if this is not known beforehand.

Here is an example of a Door device passive map descriptor:

Map_Descriptors							
Map_Descriptor_Name	Data_Array_Name	Data_Array_Offset	Node_Name	Function	Cent_Location_ID	Cent_Type	Length
PMD_Door1_R7	DA_Door1_R7	0	Room7	Passive	1	Door	3

At this stage the configuration is complete and the Schneider Electric Cassia driver will receive unsolicited event messages from the Cassia Server for all device type that have been enabled for event reporting using the Config status bits map descriptor.

Device values per room can also be actively polled for by adding additional active map descriptors to effect the polling. See the next map descriptor example on how to actively monitor room devices in addition to receiving event messages. Passive event message receiving are always enabled on the driver, regardless of whether active room device map descriptors are defined or not. Device data will always be stored on the Passive function map descriptors, both for event data and active data.

See **Section 9.2** for the list of Device Passive map descriptor types and what values they store in their Data Array.

5.4.3 Actively Monitor Room Devices for Data Changes and Passive Monitoring

Map_Descriptors									
Map_Descriptor_Name	Scan_Interval	Data_Array_Name	Data_Array_Offset	Node_Name	Function	Cent_Location_ID	Cent_Type	Length	
MD_Room1_Status	10s	Room1_States	0	Room1	RDBC	1		Room_Status	2

Example comments:

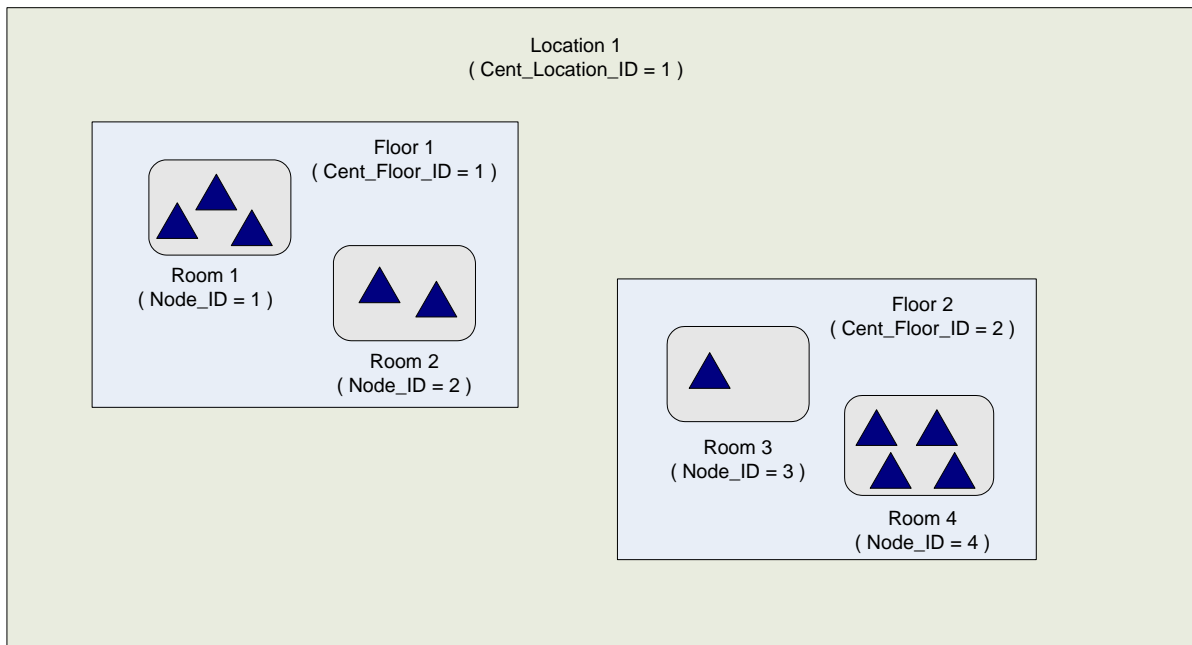
- Data_Array_Name – The room rented and occupancy state values are stored in this data array, and all other data are stored in the data arrays of the passive map descriptors of each device type reported by the Cassia Server.
- Node_Name – The Node ID of the Node specified here is the Room ID number that will be polled for data.
- Length – The room rented and occupancy state values are stored for a length of 2. A length of 1 will only store the rented state of the room.

See **Section 9.3** for Data Array Storage for Room_Status table.

5.4.4 Dump the Cassia Server's Hierarchical Configuration to a File for Configuration

The Cassia Server's hierarchical configuration can be dumped to a text file if it is not known beforehand. The dump information can then be used to create a FieldServer configuration file that has map descriptors for all rooms and devices to prevent event data not being stored. The Schneider Electric Cassia driver will report any missing or extra map descriptors during the startup configuration step of the driver where it queries the Cassia Server for Device IDs per room to assign them to pre-defined Passive map descriptors of the corresponding device types.

The following diagram explains the hierarchical representation of locations, floors, rooms and devices configured in the Cassia Server:



Configuring the FieldServer

To dump the information, follow these steps:

- 1) Define the following map descriptor to retrieve the number of locations and their IDs.

Map_Descriptors							
Map_Descriptor_Name	Data_Array_Name	Data_Array_Offset	Node_Name	Function	Cent_Type	Length	
MD_Location_Dump	-	-	Config	RDB	Location_Dump	1	

NOTE: The Config Node should have a node Id of zero.

A message on the FS-GUI on the User Messages/Driver View screen will indicate when the location dump is complete. Upload and view the emsdump.txt file which will show the Location Ids configured on the Cassia Server.

- 2) Using the Location Ids from the previous step, define map descriptors with matching Cent_Location_ID values to retrieve the Floor configuration information from the Cassia Server.

Map_Descriptors							
Map_Descriptor_Name	Data_Array_Name	Data_Array_Offset	Node_Name	Function	Cent_Location_ID	Cent_Type	Length
MD_Floor_Dump	-	-	Config	RDB	1	Floor_Dump	1

- 3) Using the Floor Ids from the previous step, define map descriptors with matching Cent_Floor_ID values to retrieve the Room configuration information from the Cassia Server:

Map_Descriptors							
Map_Descriptor_Name	Data_Array_Name	Data_Array_Offset	Node_Name	Function	Cent_Floor_ID	Cent_Type	Length
MD_RoomF1_Dump	-	-	Config	RDB	1	Room_Dump	1
MD_RoomF2_Dump	-	-	Config	RDB	2	Room_Dump	1

- 4) Using the Room Ids obtained from the previous step, define map descriptors with matching Cent_Room_ID values to retrieve the Device configuration information from the Cassia Server. Following this step, all information in the emsdump.txt file can be used to create the necessary Passive device map descriptors for storing event data.

Map_Descriptors							
Map_Descriptor_Name	Data_Array_Name	Data_Array_Offset	Node_Name	Function	Cent_Room_ID	Cent_Type	Length
MD_DeviceF1R1_Dump	-	-	Config	RDB	1	Device_Dump	1
MD_DeviceF1R2_Dump	-	-	Config	RDB	2	Device_Dump	1
MD_DeviceF2R3_Dump	-	-	Config	RDB	3	Device_Dump	1
MD_DeviceF2R4_Dump	-	-	Config	RDB	4	Device_Dump	1

6 Useful Features

The Schneider Electric Cassia driver supports an information dump feature that can be used to query the hierarchical configuration of locations, floors, rooms and devices configured on a remote Cassia Server. The configuration information is dumped to a file called emsdump.txt that can be uploaded using the FS-GUI page. To do so, type “[IP Address]/emsdump.txt” into the browser address bar and save the file. The information in the dumpfile can then be used to create a custom configuration file that matches the configuration in the Cassia Server. See the map descriptor example ([Section 5.4.4](#)) for more information.

7 Troubleshooting

The most common problem that may be encountered with the Schneider Electric Cassia driver is missing or mismatched device map descriptors to store data from the Cassia Server. The driver will print out messages about missing map descriptors which can be viewed on the FS-GUI (go to User Messages and click the Driver tab to see messages). The user can then add these map descriptors to the FieldServer configuration file to allow data storage to be successful.

7.1 Driver Messages

Error #	Msg Screen	Screen message	Meaning	Suggested Solution
1	ERROR	DRV->CASSIA : Error, set config value of %d out of range, [0-33] cannot do write!	Config value bit offset can only be from 0 to 33.	Make sure bit offset when triggering write is in range.
2	ERROR	DRV->CASSIA : Error, remote server IP not defined on connection!	The remote Cassia server's IP address has not been defined on the connection.	Define the IP address using the EMS_Server_IP_Address connection parameter.
3	ERROR	DRV->CASSIA : Could not store assigned device ID to data array %s at offset %u, too short!	Data array is too short to store information.	Increase data array length in config file.
4	DRIVER	CASSIA : Add a passive mapdesc of this device type to your configuration for auto device id assignment!	A preceding message will indicate that a message for a certain type was received, but there is no Map Descriptor associated with the device.	Add a device Map Descriptor to the configuration.
5	DRIVER	CASSIA : Cannot store event for room id %u, node not defined!	A room event message was received, but there is no node associated.	Add a node associated with the room ID to the configuration.
6	DRIVER	CASSIA : Could not find door device id %u mapdesc for room id %u	Missing Map Descriptor from configuration.	Add Map Descriptor to configuration.
7	DRIVER	CASSIA : Could not find motion detector device id %u mapdesc for room id %u	Missing Map Descriptor from configuration.	Add Map Descriptor to configuration.
8	DRIVER	CASSIA : Could not find sliding door device id %u mapdesc for room id %u	Missing Map Descriptor from configuration.	Add Map Descriptor to configuration.
9	DRIVER	CASSIA : Could not find switch relay or dimmer device id %u mapdesc for room id %u	Missing Map Descriptor from configuration.	Add Map Descriptor to configuration.
10	DRIVER	CASSIA : Could not find thermostat device id %u mapdesc for room id %u	Missing Map Descriptor from configuration.	Add Map Descriptor to configuration.

Additional Information

11	DRIVE R	CASSIA : Discarding dimmer or relay button event for room id %u until room configured	An event was received for a room that is not configured.	Add room to configuration or ignore if this event was not expected.
12	DRIVE R	CASSIA : Discarding dimmer or relay load event for room id %u until room configured	An event was received for a room that is not configured.	Add room to configuration or ignore if this event was not expected.
13	DRIVE R	CASSIA : Discarding door event for room id %u until room configured	An event was received for a room that is not configured.	Add room to configuration or ignore if this event was not expected.
14	DRIVE R	CASSIA : Discarding motion detected event for room id %u until room configured	An event was received for a room that is not configured.	Add room to configuration or ignore if this event was not expected.
15	DRIVE R	CASSIA : Discarding sliding door event for room id %u until room configured	An event was received for a room that is not configured.	Add room to configuration or ignore if this event was not expected.
16	DRIVE R	CASSIA : Discarding thermostat event for room id %u until room configured	An event was received for a room that is not configured.	Add room to configuration or ignore if this event was not expected.
17	DRIVE R	CASSIA : Discarding thermostat temp event for room id %u until room configured	An event was received for a room that is not configured.	Add room to configuration or ignore if this event was not expected.
18	DRIVE R	CASSIA : Error, cannot find coordinator mapdesc to store async event data ..	Missing Map Descriptor from configuration.	Add Map Descriptor to configuration.
19	DRIVE R	CASSIA : Error, cannot find dimmer relay button mapdesc to store async event data ..	Missing Map Descriptor from configuration.	Add Map Descriptor to configuration.
20	DRIVE R	CASSIA : Error, cannot find dimmer relay load mapdesc to store async event data ..	Missing Map Descriptor from configuration.	Add Map Descriptor to configuration.
21	DRIVE R	CASSIA : Error, cannot find door mapdesc to store async event data ..	Missing Map Descriptor from configuration.	Add Map Descriptor to configuration.
22	DRIVE R	CASSIA : Error, cannot find motion sensor mapdesc to store async event data ..	Missing Map Descriptor from configuration.	Add Map Descriptor to configuration.
23	DRIVE R	CASSIA : Error, cannot find room id %d status mapdesc	Missing Map Descriptor from configuration.	Add Map Descriptor to configuration.
24	DRIVE R	CASSIA : Error, cannot find sliding door mapdesc to store async event data ..	Missing Map Descriptor from configuration.	Add Map Descriptor to configuration.

Additional Information

25	DRIVE R	CASSIA : Error, cannot find thermostat mapdesc to store async event data ..	Missing Map Descriptor from configuration.	Add Map Descriptor to configuration.
26	DRIVE R	CASSIA : Error, cannot find thermostat mapdesc to store async event data2 ..	Missing Map Descriptor from configuration.	Add Map Descriptor to configuration.
27	DRIVE R	CASSIA : Error, could not assign device id %u from room id %u to a mapdesc!	Missing Map Descriptor from configuration.	Add Map Descriptor to configuration.
28	DRIVE R	CASSIA : Error, could not find room id %d devices mapdesc!	Missing Map Descriptor from configuration.	Add Map Descriptor to configuration.
29	DRIVE R	CASSIA : No server response to ping	The Cassia server cannot be reached over the Ethernet.	Check that server is running and firewall port 10042 opened
30	DRIVE R	CASSIA : Please add a passive mapdesc of device type %u	Missing Map Descriptor from configuration.	Add Map Descriptor to configuration.
31	DRIVE R	CASSIA : Received an unknown command 0x%x	A message was received that is not known to the driver.	Take a FS Toolbox diagnostic capture and send it to technical support.
32	DRIVE R	CASSIA : Error, could not find config mapdesc to store data!	Missing Map Descriptor from configuration.	Add Map Descriptor to configuration.

8 Vendor Information

The Schneider Electric Cassia driver connects to remote TCP port 10042 of the Cassia Server. The driver keeps the TCP/IP connection active by sending a Cassia Server ping command every 45 seconds should there not have been an active poll from a map descriptor during this time.

9 Reference

9.1 The Configuration Status Bits

The configuration status bits are defined as follows with respect to their enabling or disabling events reporting from the Cassia Server:

Offset into Data Array	Config value to set
0	Enable Send Thermostat Temperature Changed Events
1	Disable Send Thermostat Temperature Changed Events
2	Enable Send Thermostat Temperature Changed Variables Events
3	Disable Send Thermostat Temperature Changed Variables Events
4	Enable Send Thermostat Setpoint Changed Events
5	Disable Send Thermostat Setpoint Changed Events
6	Enable Send Door Opened Events
7	Disable Send Door Opened Events
8	Enable Send Door Closed Events
9	Disable Send Door Closed Events
10	Enable Send Motion Detected Events
11	Disable Send Motion Detected Events
12	Enable Send Sliding Door Opened Events
13	Disable Send Sliding Door Opened Events
14	Enable Send Sliding Door Closed Events
15	Disable Send Sliding Door Closed Events
16	Enable Send Dimmer / Relay Load On Events
17	Disable Send Dimmer / Relay Load On Events
18	Enable Send Dimmer / Relay Load Off Events
19	Disable Send Dimmer / Relay Load Off Events
20	Enable Send Dimmer / Relay Button Released Events
21	Disable Send Dimmer / Relay Button Released Events
22	Enable Send Dimmer / Relay Button Pressed Events
23	Disable Send Dimmer / Relay Button Pressed Events
24	Enable Send Dimmer / Relay Button Held Events
25	Disable Send Dimmer / Relay Button Held Events
26	Enable Send Dimmer / Relay Button Double Tap Events
27	Disable Send Dimmer / Relay Button Double Tap Events
28	Enable Send Coordinator Connected Events
29	Disable Send Coordinator Connected Events
30	Enable Send Coordinator Disconnected Events
31	Disable Send Coordinator Disconnected Events
32	Enable All Events
33	Disable All Events

9.2 List of Device Passive Map Descriptor Types

List of Device Passive map descriptor types and what values they store in their Data Array.

Cent_Type = Coordinator

Offset	Description
0	Coordinator ID
1	Coordinator type: 1 = ethernet, 2 = serial
2	Coordinator event: 0 = disconnected, 1 = connected

Cent_Type = Room_Coordinator

Offset	Description
0	None – not defined by protocol

Cent_Type = Thermostat

Offset	Description
0	major version
1	minor version
2	current setpoint
3	current setpoint cool
4	current setpoint heat
5	current humidity setpoint
6	current temperature in fahrenheit
7	current humidity
8	upper limit for setpoints
9	lower limit for setpoints
10	temperature display of thermostat, 1=celcius, 2=fahrenheit
11	set mode of thermostat, 10=off, 7=cool, 8=heat, 9=auto
12	current running mode of thermostat, 0=idle, 1=cooling, 2=heating, 3=2nd stage cooling, 4=2nd stage heating, 5=other
13	current fan status of thermostat, 0=idle, 1=on, 3=low, 4=medium, 5=high
14	set fan mode of thermostat, 12=on, 2=auto, 3=low, 4=medium, 5=high
15	differential
16	setback differential
17	deep setback differential
18	setback mode, 0=no setback, 1=setback, 2=deep setback
19	vip mode, 1=yes, 0=no
20	thermostat button pressed, 1=bottom.left, 2=bottom.middle, 3=bottom.right, 4=down, 5=up
21	thermostat button action, 0=none, 1=pressed

Cent_Type = Door, Sliding_Door, Motion_Detector

Offset	Description
0	battery level of sensor in millivolts, eg. 3000mV = 3.0 Volts
1	button status, 0=down, 1=up
2	doors: door state, 0=closed, 1=open ; motion detector: none=0, detected=1

Cent_Type = 1Button_Relay , 3Button_Relay

Offset	Description
0	load level in percentage, 0-100
1	load status, 1=on, 0=off
2	button event, 0=released, 1=pressed, 2=held, 3=doubletapped
3	button that caused event, 0=lower, 1=middle, 2=top ?

9.3 Data Array Storage for Room_Status

Offset	Description
0	Rented State of Room 0 = Unrented ; 1 = Rented ; 2 = Out of order ; 3 = Off Market ; 4 = Unknown
1	Occupancy State of Room 0 = Vacant ; 1 = Occupied ; 2 = Maid in Room