

Driver Manual

FS-8700-60 Gardner Denver

APPLICABILITY & EFFECTIVITY

Effective for all systems manufactured after March 2021.



Driver Revision: 1.03
Document Revision: 3.A



fieldserver

MSA Safety
1000 Cranberry Woods Drive
Cranberry Township, PA 16066 USA
Website: www.MSAsafety.com

U.S. Support Information:
+1 408 964-4443
+1 800 727-4377
Email: smc-support@msasafety.com

EMEA Support Information:
+31 33 808 0590
Email: smc-support.emea@msasafety.com

Contents

1	Description	4
2	Driver Scope of Supply	4
	2.1 Supplied by MSA Safety.....	4
	2.2 Provided by the Supplier of 3 rd Party Equipment	4
	2.2.1 Required 3 rd Party Hardware	4
	2.2.2 Required 3 rd Party Configuration.....	4
	2.2.3 Optional Items	4
3	Hardware Connections	5
	3.1 Hardware Connection Tips / Hints.....	6
4	Data Array Parameters	7
5	Client Side Configuration	8
	5.1 Client Side Connection Parameters	8
	5.2 Client Side Node Descriptors	8
	5.3 Client Side Map Descriptor Parameters	9
	5.3.1 FieldServer Specific Map Descriptor Parameters	9
	5.3.2 Driver Related Map Descriptor Parameters	9
	5.3.3 Timing Parameters	9
	5.4 Map Descriptor Examples	10
	5.4.1 Polling All Available Controller Data	10
	5.4.2 Polling Specific Data Items	10
	5.4.3 Polling All Data and Isolating Specific Data Items	10
6	Useful Features	11
	6.1 Method Used to Isolate Specific Items	11
	6.2 Poll Data Length	11
7	Troubleshooting	12
	7.1 No Response to Select Unit Polls for Single Units Connected	12
8	Reference	13
	8.1 Data Storage Format	13

1 Description

The Gardner Denver Auto Sentry ES/RS2000 driver allows the FieldServer to transfer data from devices over either RS-232 or RS-485 using Gardner Denver Auto Sentry ES/RS2000 protocol. The driver can be configured to communicate with ES Controllers with software versions V2.0X, V2.1X and RS2000 Controllers with software versions V4.0X

The client driver implements the following functionality:

- Polls controllers for service and maintenance data.
- Polls controllers for operating mode data.
- Polls controllers for operating data.

The driver can poll up to 8 units connected to one ES/RS2000 Controller. It always sets the active unit on the ES/RS2000 Controller before polling for data even if consecutive polls are for the same unit. This is done to prevent synchronization problems.

Gardner Denver ES/RS2000 Controllers implements three message types for which the driver can poll. The driver does not validate the message data fields for correct values although it does validate data field lengths, for example, shutdown codes reported by V2.1 ES Controllers range from 0 to 27. If a code of 28 is reported, the driver will not flag it as an error since codes have to be interpreted by the operator. However, a message length longer than 2 digits will be reported as an error.

FieldServer Mode	Nodes	Comments
Client	1	A client node can communicate with up to 8 units connected to a ES/RS2000 Controller

2 Driver Scope of Supply

2.1 Supplied by MSA Safety

Part #	Description
FS-8917-16	UTP cable (7 foot) for RS-232 use
FS-8917-03	RJ45 to DB9M connector adapter

2.2 Provided by the Supplier of 3rd Party Equipment

2.2.1 Required 3rd Party Hardware

Part #	Description
-	ES/RS2000 controller

2.2.2 Required 3rd Party Configuration

The ES/RS2000 Controller must be set up in the correct mode to support either RS-232 or RS-485 communications to an external monitoring system. Please refer to manufacturer's setup instructions.

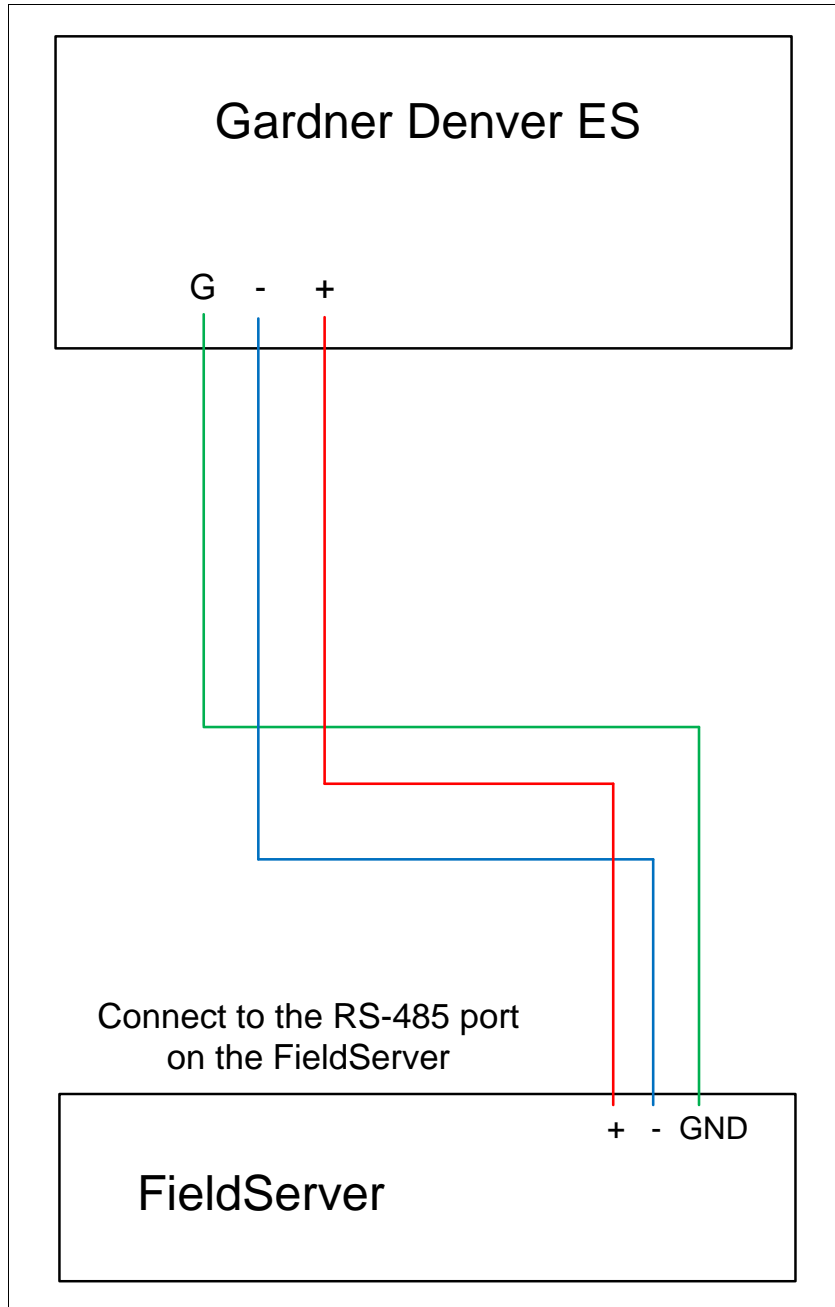
2.2.3 Optional Items

Part #	Vendor/Manufacturer	Description
485LDRC	B&B Electronics	RS-232/RS-485 converter

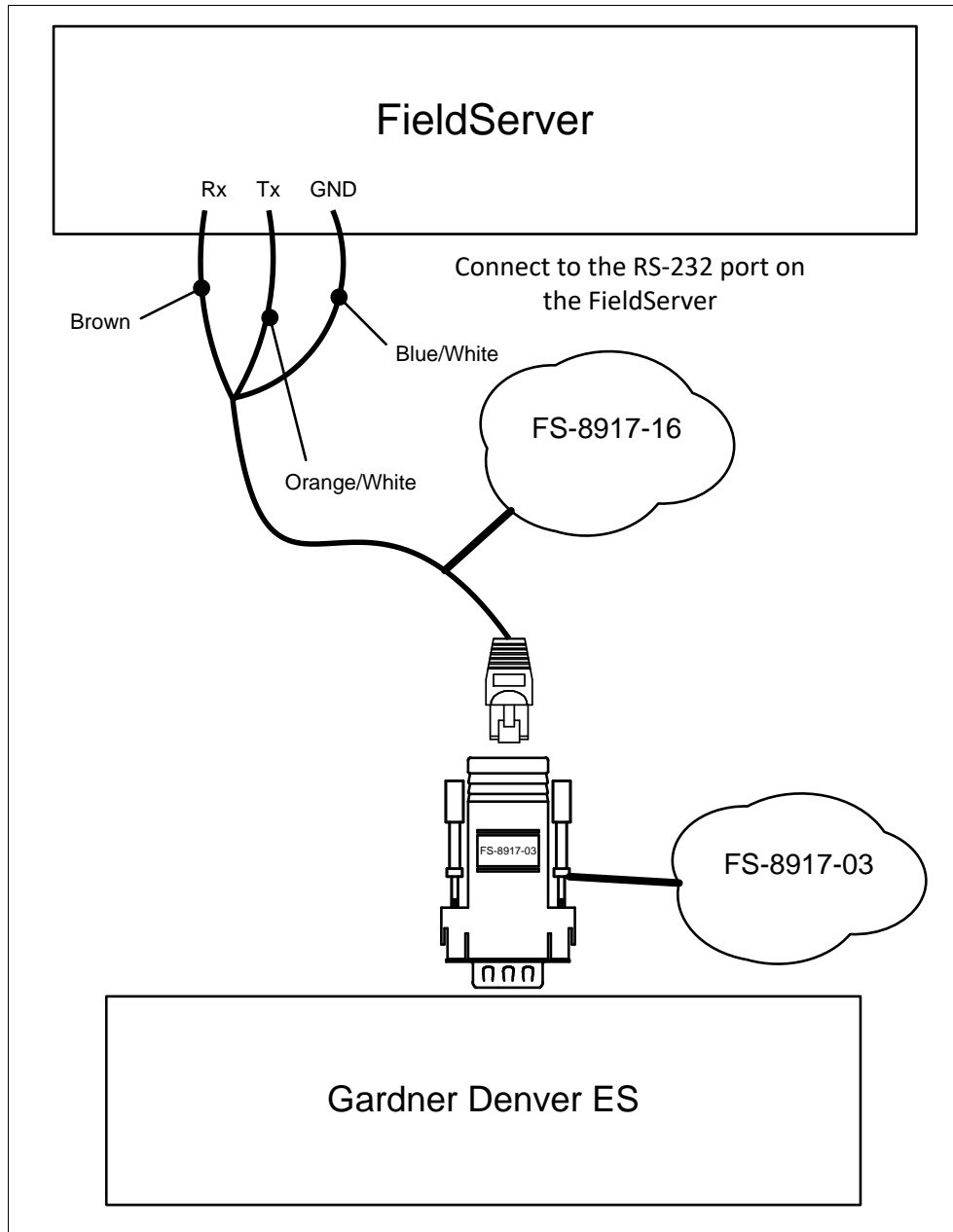
3 Hardware Connections

The FieldServer is connected to the ES/RS2000 Controller as shown in the connection drawing below:
Configure the ES/RS2000 Controller according to manufacturer's instructions.

RS-485 Connection:



RS-232 Connection:



FS-8917-03 Pinouts

FS Function	DB9F Pin#
TX	2
RX	3
GND	5
CTS	8

3.1 Hardware Connection Tips / Hints

- If inter-controller communications are set up for the controller, connect to the RS-232 port only.
- If inter-controller communications are not used, connect to either the RS-232 or RS-485 port.

4 Data Array Parameters

Data Arrays are “protocol neutral” data buffers for storage of data to be passed between protocols. It is necessary to declare the data format of each of the Data Arrays to facilitate correct storage of the relevant data.

Section Title		
Data_Arrays		
Column Title	Function	Legal Values
Data_Array_Name	Provide name for Data Array.	Up to 15 alphanumeric characters
Data_Format	Provide data format. Each Data Array can only take on one format.	Float, Bit, Byte, Uint16, Uint32, Sint16, Sint32
Data_Array_Length	Number of Data Objects. Must be larger than the data storage area required by the Map Descriptors for the data being placed in this array.	1-10000

Example

```
// Data Arrays

Data_Arrays
Data_Array_Name, , Data_Format, , Data_Array_Length
DA_Service_Data , Uint32 , 38
DA_Oper_Mode , Uint16 , 3
DA_Oper_Data , Uint16 , 5
```

5 Client Side Configuration

For detailed information on FieldServer configuration, refer to the FieldServer Configuration Manual. The information that follows describes how to expand upon the factory defaults provided in the configuration files included with the FieldServer (see “.csv” sample files provided with the FieldServer). This section documents and describes the parameters necessary for configuring the FieldServer to communicate with a Gardner Denver Auto Sentry ES/RS2000 Controller.

NOTE: In the following tables, * indicates an optional parameter and bold legal values are default.

5.1 Client Side Connection Parameters

Section Title		
Connections		
Column Title	Function	Legal Values
Port	Specify which port the device is connected to the FieldServer.	P1-P2, R1-R2 ¹
Protocol	Specify protocol used.	Gardner_Denver
Baud*	Specify baud rate.	1200, 9600 (match to Controller)
Parity*	Specify parity.	Odd, Even, None
Data_Bits*	Specify data bits.	7 , 8
Stop_Bits*	Specify stop bits.	1 , 2
Poll_Delay*	Time between internal polls.	≥0.2s, 0.2s
Timeout*	Time to wait for response.	≥0.6s, 0.6s

Example

```
// Client Side Connections
Connections
Port          , Protocol
P1            , Gardner_Denver
```

5.2 Client Side Node Descriptors

Section Title		
Nodes		
Column Title	Function	Legal Values
Node_Name	Provide name for node.	Up to 32 alphanumeric characters
Node_ID	Unit number connected to an ES/RS2000 controller.	1-8
Protocol	Specify protocol used.	Gardner_Denver
Connection	Specify which port the device is connected to the FieldServer.	P1-P2, R1-R2
Node_Type*	Sets the protocol to be used for different Controller software versions.	ES V2.0X, ES V2.1X , RS2000 V4.0X

Example

```
// Client Side Nodes
Nodes
Node_Name   , Node_ID   , Protocol   , Connection
Node_1     , 1           , Gardner_Denver , P1
Node_2     , 2           , Gardner_Denver , P1
```

¹ Not all ports shown are necessarily supported by the hardware. Consult the appropriate Instruction manual for details of the ports available on specific hardware.

5.3 Client Side Map Descriptor Parameters

5.3.1 FieldServer Specific Map Descriptor Parameters

Column Title	Function	Legal Values
Map_Descriptor_Name	Name of this Map Descriptor.	Up to 32 alphanumeric characters
Data_Array_Name	Name of Data Array where data is to be stored in the FieldServer.	One of the Data Array names from Section 4
Data_Array_Offset	Starting location in Data Array.	0 to (Data_Array_Length-1) as specified in Section 4
Function	Function of Client Map Descriptor.	RDBC, Passive_Client

5.3.2 Driver Related Map Descriptor Parameters

Column Title	Function	Legal Values
Node_Name	Name of Node to fetch data from.	One of the node names specified in "Client Node Descriptor" above
Gar_Cmd	Data poll commands.	Service_Data, Operating_Mode, Operating_Data
Gar_Data*	Data fields in a data poll command response message. Can be used to poll for all or specific data or just isolate specific items in an "All" poll.	Service_Data: All, Advisories, Shutdown_codes, Hourmeter_shutdown, Hourmeter_total, Hourmeter_loaded, Hourmeter_temp, Hourmeter_tmp_st, Last_maint_A, Last_maint_B, Oilage Operating_Mode: All, Oper_mode, Seq_number, Oper_state Operating_Mode: All, System_pressure, Filter_pressure, Discharge_temp, Reservoir_temp, Motor_current

5.3.3 Timing Parameters

Column Title	Function	Legal Values
Scan_Interval*	Rate at which data is polled. Note that the Poll_Delay Connection parameter affects the effective scan interval.	≥0.1s, 0.1s

5.4 Map Descriptor Examples

5.4.1 Polling All Available Controller Data

Map_Descriptor_Name	Data_Array_Name	Data_Array_Offset	Function	Node_Name	Gar_Cmd	Gar_Data	Scan_Interval
GD_MBA1	, DA_Service_Data	, 0	, RDBC	, Node_1	, Service_Data	, All	, 1.0s
GD_MBA2	, DA_Oper_Mode	, 0	, RDBC	, Node_1	, Operating_Mode	, All	, 1.0s
GD_MBA3	, DA_Oper_Data	, 0	, RDBC	, Node_1	, Operating_Data	, All	, 1.0s

In the above example:

- Function – Active Read Block Continuous Map Descriptor function responsible for polling the Controller.
- Gar_Cmd – The Gar_Cmd field is used to select the data to poll.
- Gar_Data – The Gar_data field is set to “All” indicating that all available data is polled.

5.4.2 Polling Specific Data Items

Map_Descriptor_Name	Data_Array_Name	Data_Array_Offset	Function	Node_Name	Gar_Cmd	Gar_Data	Scan_Interval
GD_MBA1	, DA_Hourmeter	, 0	, RDBC	, Node_1	, Service_Data	, Hourmeter_total	, 1.0s
GD_MBA2	, DA_Oper_Mode	, 0	, RDBC	, Node_1	, Operating_Mode	, Oper_mode	, 1.0s
GD_MBA3	, DA_Motor_Amps	, 0	, RDBC	, Node_1	, Operating_Data	, Motor_current	, 1.0s

In the above example:

- Function – Active Read Block Continuous Map Descriptor function responsible for polling the Controller.
- Gar_Cmd – The Gar_Cmd field is used to select the data to poll.
- Gar_Data – The Gar_data field is set to “Motor_current” indicating that only this data item will be stored.

5.4.3 Polling All Data and Isolating Specific Data Items

Map_Descriptor_Name	Data_Array_Name	Data_Array_Offset	Function	Node_Name	Gar_Cmd	Gar_data	Scan_Interval
GD_MBA1	, DA_Service_Data	, 0	, RDBC	, Node_1	, Service_Data	, All	, 1.0s
GD_MBA2	, DA_Oilage	, 0	, Passive_Client	, Node_1	, Service_Data	, Oilage	, -
GD_MBA3	, DA_Hourmeter	, 0	, Passive_Client	, Node_1	, Service_Data	, Hourmeter_total	, -
GD_MBA4	, DA_Oper_Mode	, 0	, RDBC	, Node_1	, Operating_Mode	, All	, 1.0s
GD_MBA5	, DA_Oper_State	, 0	, Passive_Client	, Node_1	, Operating_Mode	, Oper_state	, -
GD_MBA6	, DA_Oper_Data	, 0	, RDBC	, Node_1	, Operating_Data	, All	, 1.0s
GD_MBA7	, DA_Disch_Temp	, 0	, Passive_Client	, Node_1	, Operating_Data	, Discharge_temp	, -

In the above example:

- Function – The Passive_Client Map Descriptor does not poll but receives data from the active map descriptor where the Gar_Cmd and Node_Name fields match.
- Gar_Cmd – The Gar_Cmd field is used to select the data to poll.
- Gar_Data – The specific data item, “Discharge_temp” is isolated here by using the same Gar_Cmd as the active map descriptor.

6 Useful Features

6.1 Method Used to Isolate Specific Items

A Passive_Client Map Descriptor must be used after an active RDBC Map Descriptor. The driver uses the Active Map Descriptors to poll the Controller and then searches for Passive Client Map Descriptors with matching Node_Name and Gar_Cmd fields. It then stores the data items as specified by the Gar_data field from the data collected by the preceding active Map Descriptor.

6.2 Poll Data Length

The length of the data packet retrieved from the Controller during a poll is always fixed for each of the three types of data polls. When specifying a specific Gar_Data item using a RDBC active Map Descriptor, the driver receives all data of Gar_Cmd type from the controller in a single poll, but only stores the data item in question.

7 Troubleshooting

7.1 No Response to Select Unit Polls for Single Units Connected

The device must be in “Sequence Mode”, not Standalone mode. The unit can be put in sequence mode setting the “Units in Sequence” to a number greater than 1.

If using sequence mode is not feasible for the application, contact FieldServer support for a solution.

8 Reference

8.1 Data Storage Format

Offset	Description	Units
DA_Service_Data		
0	Advisories	see ES/RS2000 Controller spec
1-20	10x (Shutdown code / Hourmeter reading) pairs	see ES/RS2000 Controller spec
21	Current total runtime hourmeter reading	Hours
22	Current loaded runtime hourmeter reading	Hours
23-28	6x Current temp hourmeters [H1] – [H6]	Hours
29-34	6x Stored temp hourmeters [OH1] – [OH6]	Hours
35	Last maintenance A	Hours
36	Last maintenance B	Hours
37	Oilage	Unknown, see ES/RS2000 controller spec
Operating Mode Data		
0	Operating mode indication	see ES/RS2000 Controller spec
1	Sequence number ²	see ES/RS2000 Controller spec
2	Unit operating state ³	see ES/RS2000 Controller spec
Operating Data		
0	System pressure	divide by 16 for pressure in psig
1	Filter pressure	divide by 16 for pressure in psig
2	Discharge temperature	divide by 16 for temperature in degrees F
3	Reservoir temperature	divide by 16 for temperature in degrees F
4	Motor current ⁴	amps

² ES V2.0X Controllers do not respond with this field.

³ ES V2.0X Controllers do not respond with this field.

⁴ RS2000 V4.0X Controllers set this field to zero.